

**COMPACT
PNEUMATIC CYLINDERS
PKD-A SERIES Ø16- Ø25**



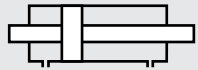


PKD-A SERIES

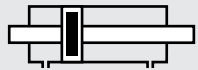
COMPACT - Ø16 - Ø25 - ISO 21287

COMPACT DOUBLE-ROD CYLINDER WITH MAGNET

POSSIBILITY FOR DOUBLE DIRECTION RUN WITH IDENTITY STROKES COMPACT DIMENSIONS



PKD: COMPACT CYLINDERS WITH DOUBLE ACTING WITH DOUBLE ROD



PKD-A: COMPACT MAGNETIC CYLINDERS WITH DOUBLE ACTING WITH DOUBLE ROD

Example of order:

PKD-A
Product Code

020-050
Cylinder Ø
Stroke

M1 M3
Variants from
Standard System

VARIANTS FROM STANDARD SYSTEM:

- R1: Stainless Steel Piston Rod (SS 304-SS 316)
- R4: Stainless Steel Nut for Piston Rod (SS 304)
- R5: Piston Rod as CK45 (Hard Chrome Plated)
- M1: Extended male Piston Rod Thread
- M3: Special Piston Rod Thread
- M4: Extended Piston Rod
- K4: Piston Rod Seal Viton

Force:

Cylinder Ø mm	Rod Ø mm	Thrust and traction forces (6 Bar)	
		Thrust Force (N)	Traction Force (N)
16	8	91	91
20	10	127	127
25	10	222	222

Working Fluid:

Filtered and lubricated or filtered and not lubricated air

Operating Temperature Range:

Polyurethane (PU) : (-20°C) - (+80°C)

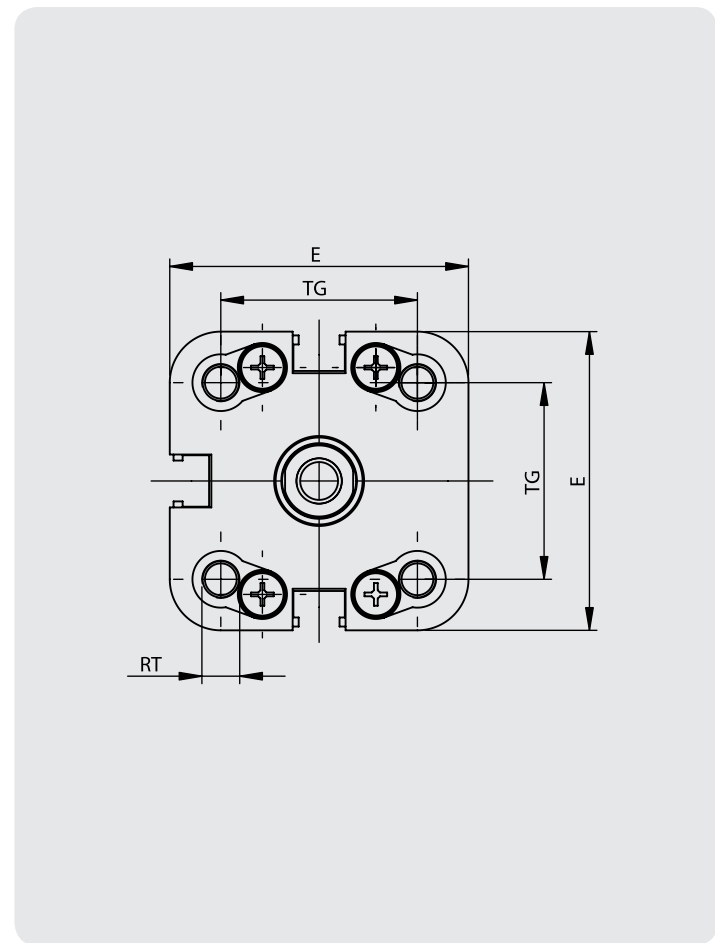
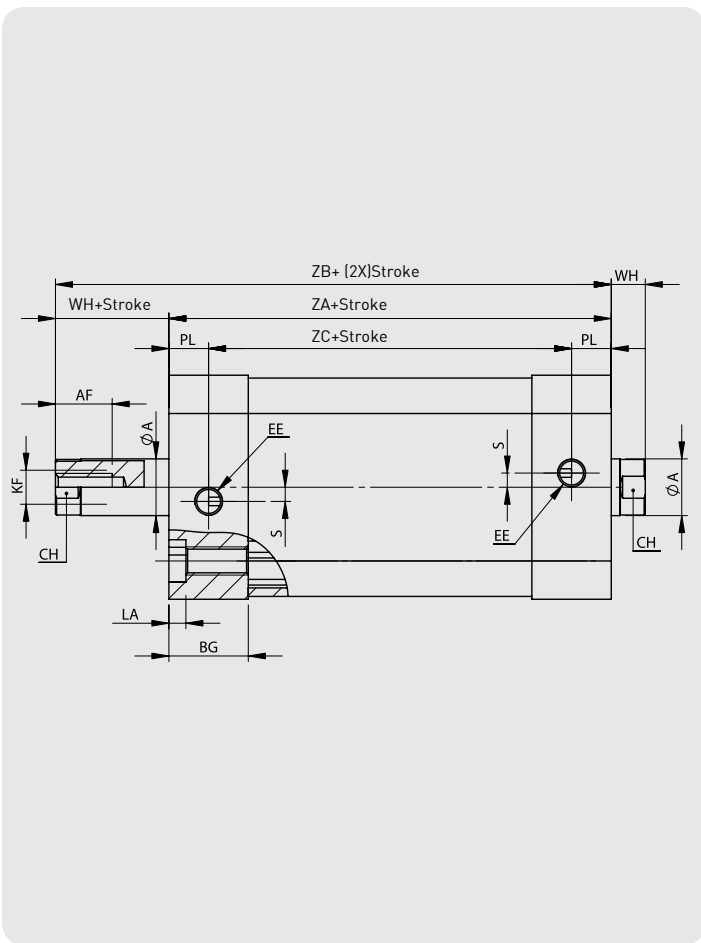
Viton (FKM) : (-30°C) - (+150°C)

Max. Work Pressure:

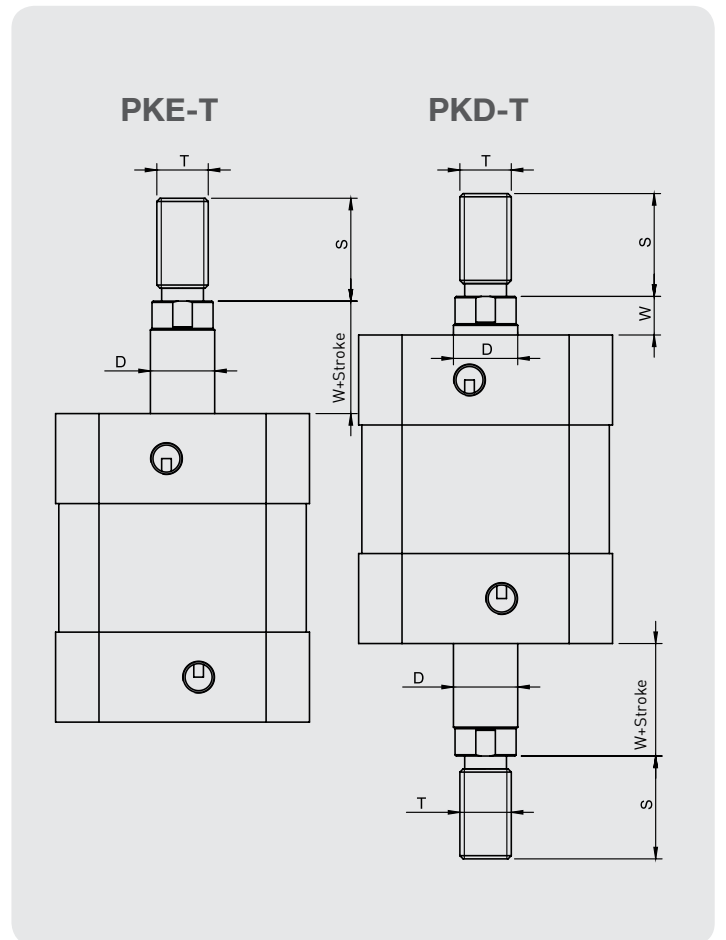
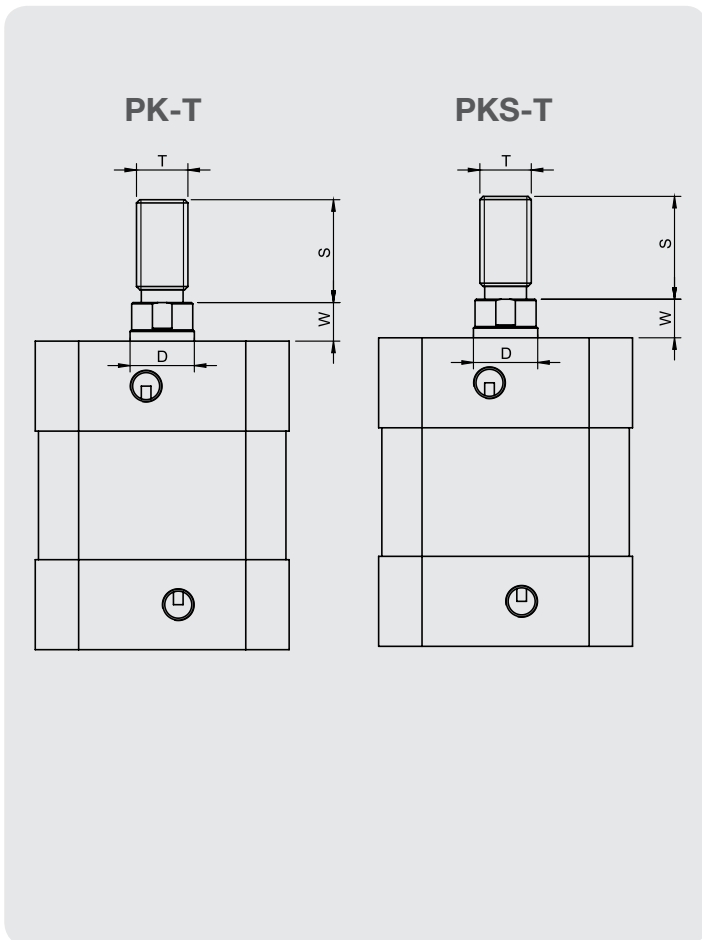
10 Bar



PKD-A SERIES
COMPACT - $\varnothing 16$ - $\varnothing 25$ - ISO 21287



Cylinder \varnothing mm	$\varnothing A$	CH	AF	WH	ZA	ZB	ZC	KF	EE	BG	TG	E	RT	LA	PL	$\varnothing B$	LB	S
16	8	6	8	4,5	38	42,5	22	M4	M5x0.8	12,25	18	29	M4	3,5	8	6	4	0
20	10	9	10	6	37	43	23	M6x1	M5x0.8	14,25	22	36	M5x0.8	3	7	9	2,1	2,5
25	10	9	10	6	39	45	25	M6x1	M5x0.8	14	26	39,5	M5x0.8	3	7	9	2,1	2,5



Cylinder type	Cylinder Ø mm	D	S	T	W
PK-PKS	16	8	20	M8x1.25	4,5
PK-PKS	20	10	16	M8x1.25	6
PKE-PKD	25	10	16	M8x1.25	6